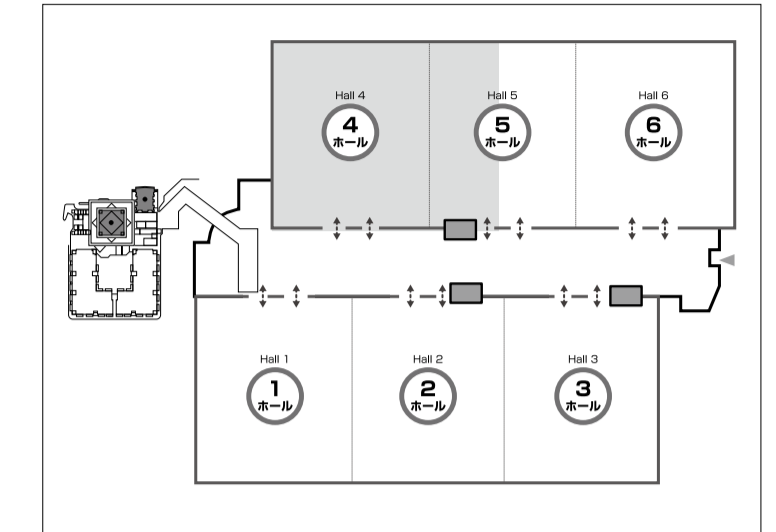
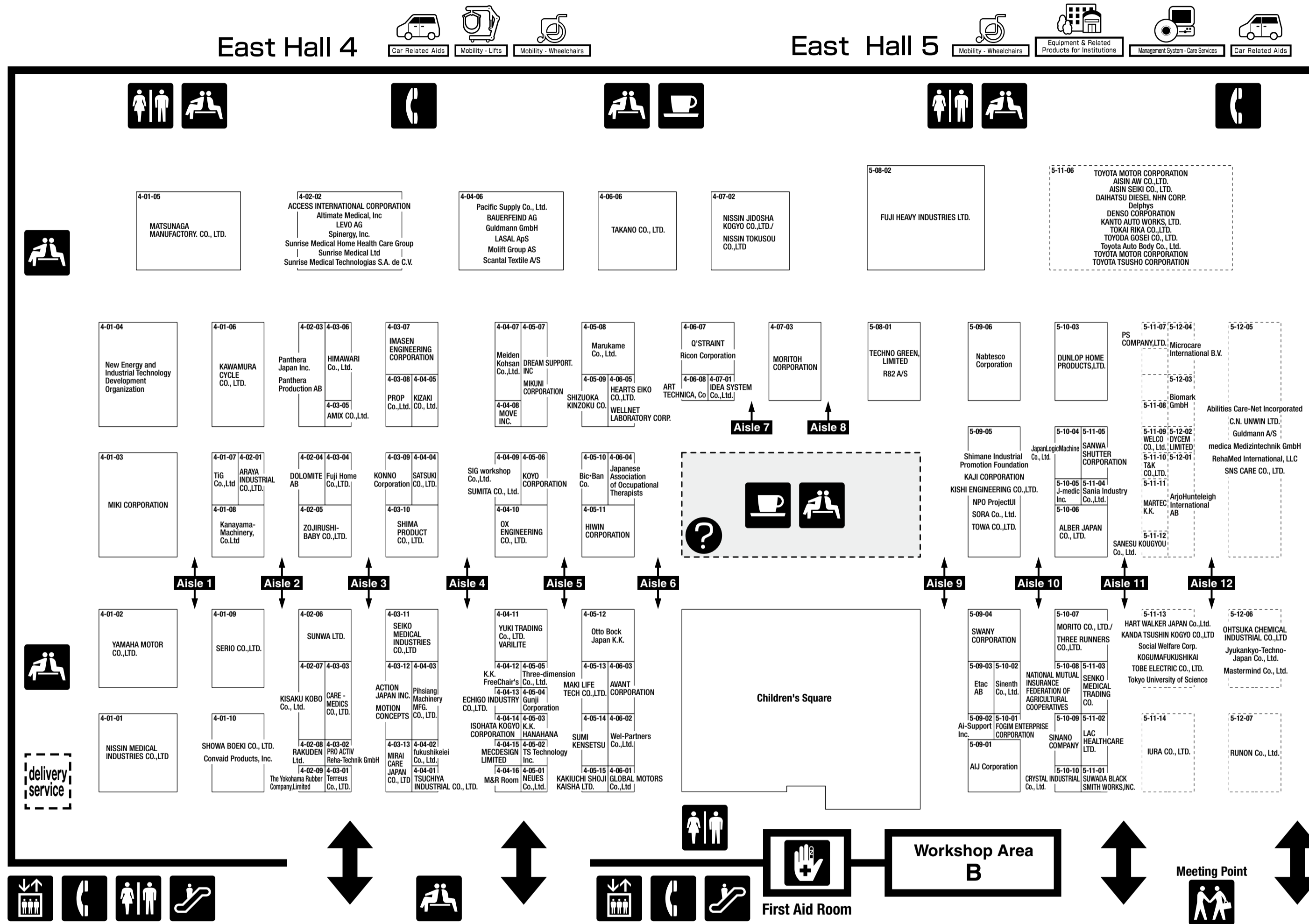


Guide for East Hall 4 - 5 (Aisle Carpet Color: Orange)



- 総合案内所/会場案内所 Information
- エレベーター Elevator
- エスカレーター Escalator
The escalator next to East Hall 4 is for wheelchair users.
- トイレ Restrooms
- 電話 Telephone
- 休憩所 Lounge
- 軽食コーナー Snack Corner
- 救護室 First Aid Room
There are also restaurants within the Tokyo Big Sight facilities for visitors.
The First Aid Room is located next to workshop Area B. A doctor and nurse will be on staff in cases of emergencies.
- 待ち合わせ広場 Meeting Point
A Meeting Point is located outside of the entrance of East Hall 5.

The Aisle Carpet Color for East Hall 4 - 5 is Orange.

●Japanese Exhibitors in East Hall 4 - 5 (Alphabetical Order)

Exhibitor	Booth No.	Exhibitor	Booth No.	Exhibitor	Booth No.	Exhibitor	Booth No.
ACCESS INTERNATIONAL CORPORATION	4-02-02	FUJII HEAVY INDUSTRIES LTD.	5-08-02	J-med Inc.	5-10-05	MATSUNAGA MANUFACTORY CO., LTD.	4-01-05
ACTION JAPAN INC.	4-03-12	Fuji Home Co.,LTD.	4-03-04	K.K. FreeChair's	4-04-12	MECDESIGN LIMITED	4-04-15
AiJ Corporation	5-09-01	fukushikeiei Co., Ltd.	4-04-02	K.K. HANAHANA	4-05-03	Mitsubishi Electric Corp.	4-04-07
Ai-Support Inc.	5-09-02	KAJI CORPORATION	4-06-01	K.K. HANAHANA	4-05-03	MORIHO CORPORATION	4-07-03
ALBER JAPAN CO., LTD.	5-10-06	KAKIUCHI SHOJI KAISHA LTD.	4-05-15	KAWAMURA CYCLE CO., LTD.	4-01-06	MOTION CONCEPTS	4-03-12
AMIX CO.,LTD.	4-03-05	KANAYAMA-MACHINERY.CO.LTD.	4-01-08	KAWAMURA CYCLE CO., LTD.	4-01-06	PHIANG MFG. CO., LTD.	4-04-03
ARAYA INDUSTRIAL CO.,LTD.	4-02-01	KONNO CORPORATION	4-03-09	KISAKU KOBO Co., Ltd.	4-02-07	PRO ACTIV	4-03-02
Bic - Ban Co.	4-05-10	KIZAKI Co., Ltd.	4-04-05	KISAKU KOBO Co., Ltd.	4-02-07	RAKUDEN Ltd.	4-04-02
CARE - MEDICS CO., LTD.	4-03-03	KONNO CORPORATION	4-03-09	KISHI ENGINEERING CO., LTD.	5-09-05	REHA-TECHNIK GMBH	4-03-02
CRYSTAL INDUSTRIAL Co., Ltd.	5-10-10	IMASEN ENGINEERING CORPORATION	4-03-07	KAWAMURA CYCLE CO., LTD.	4-01-06	REHA-TECHNIK GMBH	4-03-02
DREAM SUPPORT.INC	4-05-07	ISOHATA KOGYO CORPORATION	4-04-14	KAWAMURA CYCLE CO., LTD.	4-01-06	REHA-TECHNIK GMBH	4-03-02
DUNLOP HOME PRODUCTS.LTD.	5-10-03	JAPANESE ASSOCIATION OF OCCUPATIONAL THERAPISTS	4-06-04	KAWAMURA CYCLE CO., LTD.	4-01-06	REHA-TECHNIK GMBH	4-03-02
ECHIGO INDUSTRY CO.,LTD.	4-04-13	JAPANLOGICMACHINE CO., LTD.	5-10-04	KAWAMURA CYCLE CO., LTD.	4-01-06	REHA-TECHNIK GMBH	4-03-02

●Overseas Exhibitors in East Hall 4 - 5 (Alphabetical Order)

Exhibitor	Booth No.	Exhibitor	Booth No.	Exhibitor	Booth No.	Exhibitor	Booth No.
SATSUKI CO., LTD.	4-04-04	SUNWA LTD.	4-02-06	Well-Partners Co.,Ltd.	4-06-02	Altimate Medical, Inc	4-02-02
SEIKO MEDICAL INDUSTRIES CO.,LTD	4-03-11	SUWADA BLACKSMITH WORKS,INC.	5-11-01	YAMAHA MOTOR CO.,LTD.	4-01-02	BAUERFEIND AG	4-04-06
SENKO MEDICAL TRADING CO.	5-11-03	SWANY CORPORATION	5-09-04	YUKI TRADING Co.,LTD.	4-04-11	RICON CORPORATION	4-06-07
SERIO CO.,LTD.	4-01-09	TAKANO CO., LTD.	4-06-06	ZOJIRUSHI-BABY CO.,LTD.	4-02-05	Scantal Textile A/S	4-04-06
SHIMA PRODUCT CO., LTD.	4-03-10	TECHNO GREEN, LIMITED	5-08-01			Spinerly, Inc.	4-02-02
Shimane Industrial Promotion Foundation	5-09-05	Terreus Co., LTD.	4-03-01			Sunrise Medical Home Health Care Group	4-02-02
SHIZUOKA KINZOKU CO.	4-05-09	The Yokohama Rubber Company,Limited	4-02-09			Sunrise Medical Ltd	4-02-02
SHOWA BOEKI CO., LTD.	4-01-10	Three-dimension Co., Ltd.	4-05-05			Sunrise Medical Technologias S.A. de C.V.	4-02-02
SIG workshop Co.,Ltd.	4-04-09	TIG Co.,Ltd	4-01-07				
Pacific Supply Co., Ltd.	4-04-09	TOWA CO.,LTD.	5-09-05				
Panthera Japan Inc.	4-02-03	TS Technology Inc.	4-05-02				
PROP Co.,Ltd.	5-10-02	TSUCHIYA INDUSTRIAL CO., LTD.	4-04-01				
RAKUDEN Ltd.	4-02-08	WELNET LABORATORY CORP.	4-06-05				
Sania Industry Co.,Ltd.	5-11-04						
SANWA SHUTTER CORPORATION	5-11-05						