

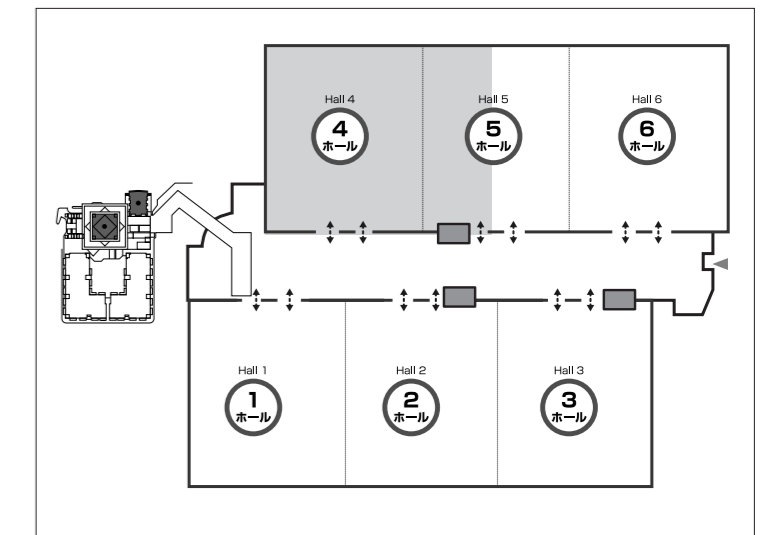
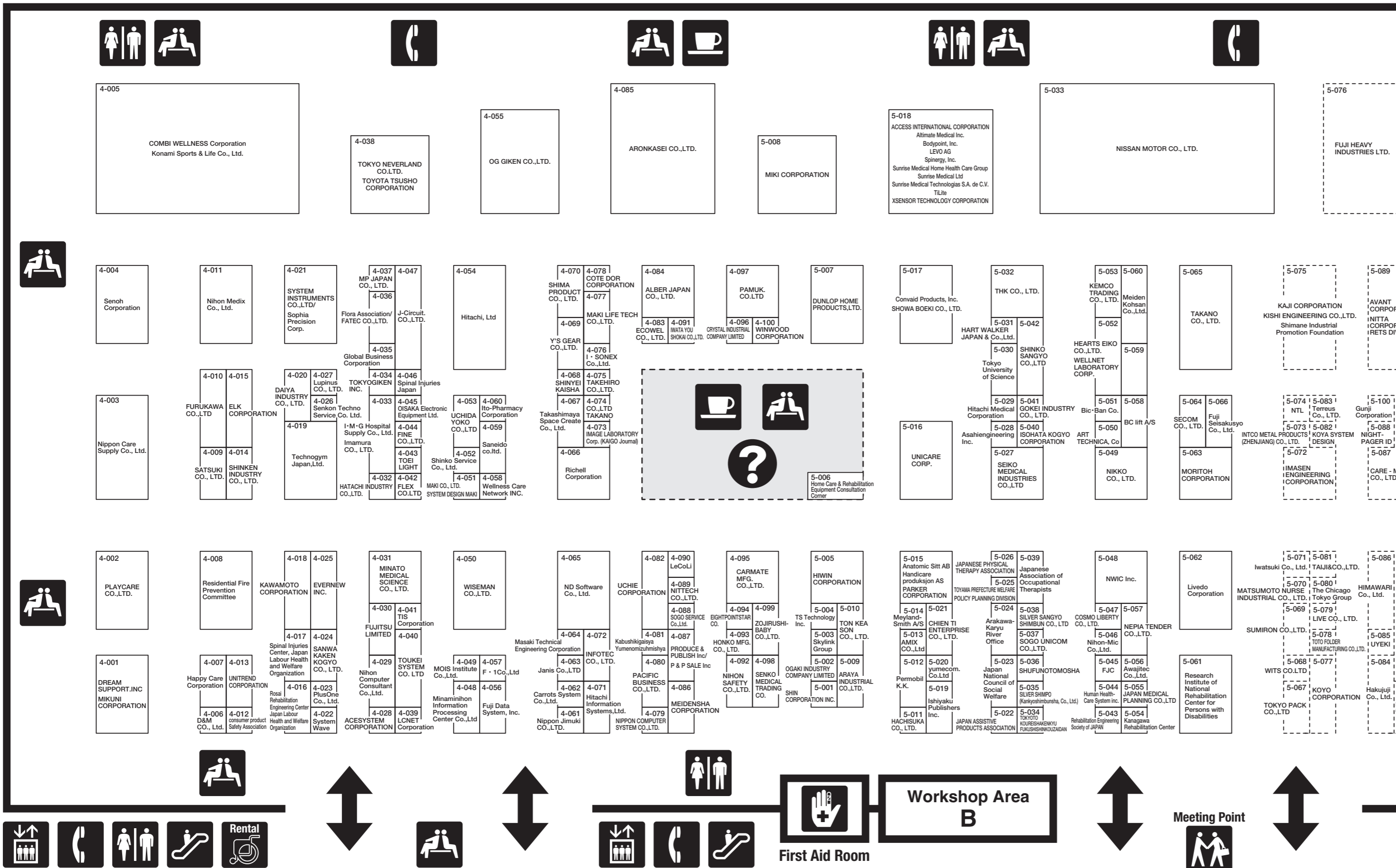
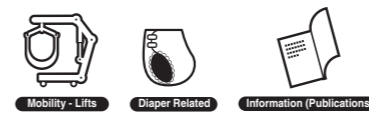


Guide for East Hall 4 - 5 (Aisle Carpet Color: Orange)

East Hall 4



East Hall 5



- 総合案内所/会場内案内所 Information
 - エレベーター Elevator
 - エスカレーター Escalator
 - トイレ Restroom
 - 電話 Telephone
 - 休憩所 Lounge
 - 軽食コーナー Snack Corner
 - 車いす貸出コーナー Wheelchair Rental
 - 救護室 First Aid Room
 - 待ち合わせ広場 Meeting Point
- The escalator next to East Hall 4 is for wheelchair users.
- There are also restaurants within the Tokyo Big Sight facilities for visitors.
- The First Aid Room is located next to workshop Area B. A doctor and nurse will be on staff in case of emergencies.
- A Meeting Point is located outside of the entrance of East Hall 5.

The Aisle Carpet Color for East Hall 4 - 5 is Orange.

Japanese Exhibitors in East Hall 4 - 5 (Alphabetical Order)

Exhibitor	Booth No.	Exhibitor	Booth No.	Exhibitor	Booth No.	Exhibitor	Booth No.
ACCESS INTERNATIONAL CORPORATION	5-018	DSM Co., Ltd.	4-006	HACHISUKA CO., LTD.	5-011	IWATA YOU SHOKAI CO., LTD.	4-091
ACESYSTEM CORPORATION	4-028	DAIYA INDUSTRY CO., LTD.	4-020	Happy Care Corporation	4-007	Nippon Jimuki CO., LTD.	4-063
ALBER JAPAN CO., LTD.	4-084	DREAM SUPPORT INC.	4-001	HART WALKER JAPAN & Co., Ltd.	5-031	JAPAN ASSSIVE PRODUCTS ASSOCIATION	5-022
AMIX CO., LTD.	5-013	DUNLOP HOME PRODUCTS, LTD.	5-007	HATACHI INDUSTRY CO., LTD.	4-032	JAPAN MEDICAL PLANNING CO., LTD.	5-055
Arakawa-Karyu River Office	5-024	ECOWEL CO., LTD.	4-083	HEARTS EIKO CO., LTD.	5-052	Japan National Council of Social Welfare	5-023
ARAYA INDUSTRIAL CO., LTD.	5-009	EIGHTPOINTSTAR CO.	4-094	Hitachi Information Systems Ltd.	4-071	Japanese Association of Occupational Therapists	5-039
ARONKASEI CO., LTD.	4-085	ELK CORPORATION	4-015	Hitachi Medical Corporation	5-029	JAPANESE PHYSICAL THERAPY ASSOCIATION	5-026
ART TECHNICA, Co	5-050	EVERNEW INC.	4-025	Hitachi, Ltd.	4-054	J-Circuit, CO., LTD.	4-047
Asahiengineering Inc.	5-028	FINE CO., LTD.	4-057	HIWIN CORPORATION	5-005	Kabushikigaisya Yumenomizuhimisha	4-081
Awajitec Co., Ltd.	5-056	FURUKAWA CO., LTD.	4-010	HONKO MFG. CO., LTD.	4-093	MOIS Institute Co., Ltd.	4-049
Bic - Ban Co.	5-051	FUJITSU LIMITED	4-024	HUMAN HEALTH CARE SYSTEM INC.	5-044	MORITOH CORPORATION	5-063
CARMATE MFG. CO., LTD.	4-095	FUJITSU SYSTEM CO., LTD.	4-042	Hitachi Information Systems, Ltd.	4-079	MP JAPAN CO., LTD.	4-037
Carrots System Co., Ltd.	4-062	GLOBAL BUSINESS CORPORATION	4-035	Hitachi Information Systems, Ltd.	4-079	ND Software Co., Ltd.	4-065
CO., LTD TAKANO	4-074	GLOBAL BUSINESS CORPORATION	4-035	Hitachi Information Systems, Ltd.	4-079	NEPIA TENDER CO., LTD.	5-057
COMBI WELLNESS CORPORATION	4-005	GLOBAL BUSINESS CORPORATION	4-035	Hitachi Information Systems, Ltd.	4-079	NIPON COMPUTER SYSTEM CO., LTD.	5-001
consumer product Safety Association	4-012	GLOBAL BUSINESS CORPORATION	4-035	Hitachi Information Systems, Ltd.	4-079	OGAKI INDUSTRY COMPANY LIMITED	5-002
COSMO LIBERTY CO., LTD.	5-047	GLOBAL BUSINESS CORPORATION	4-035	Hitachi Information Systems, Ltd.	4-079	OSAKA ELECTRONIC EQUIPMENT LTD.	4-045
COTE DOR CORPORATION	4-078	GLOBAL BUSINESS CORPORATION	4-035	Hitachi Information Systems, Ltd.	4-079	PACIFIC BUSINESS CO., LTD.	4-080
CRYSTAL INDUSTRIAL COMPANY LIMITED	4-096	GLOBAL BUSINESS CORPORATION	4-035	Hitachi Information Systems, Ltd.	4-079	PARKER CORPORATION	5-015

Overseas Exhibitors in East Hall 4 - 5 (Alphabetical Order)

Exhibitor	Booth No.	Exhibitor	Booth No.	Exhibitor	Booth No.	Exhibitor	Booth No.
ACCESS INTERNATIONAL CORPORATION	5-018	DSM Co., Ltd.	4-006	HACHISUKA CO., LTD.	5-011	IWATA YOU SHOKAI CO., LTD.	4-091
ACESYSTEM CORPORATION	4-028	DAIYA INDUSTRY CO., LTD.	4-020	Happy Care Corporation	4-007	Nippon Jimuki CO., LTD.	4-063
ALBER JAPAN CO., LTD.	4-084	DREAM SUPPORT INC.	4-001	HART WALKER JAPAN & Co., Ltd.	5-031	JAPAN ASSSIVE PRODUCTS ASSOCIATION	5-022
AMIX CO., LTD.	5-013	DUNLOP HOME PRODUCTS, LTD.	5-007	HATACHI INDUSTRY CO., LTD.	4-032	JAPAN MEDICAL PLANNING CO., LTD.	5-055
Arakawa-Karyu River Office	5-024	ECOWEL CO., LTD.	4-083	HEARTS EIKO CO., LTD.	5-052	Japan National Council of Social Welfare	5-023
ARAYA INDUSTRIAL CO., LTD.	5-009	EIGHTPOINTSTAR CO.	4-094	Hitachi Information Systems Ltd.	4-071	Japanese Association of Occupational Therapists	5-039
ARONKASEI CO., LTD.	4-085	ELK CORPORATION	4-015	Hitachi Medical Corporation	5-029	JAPANESE PHYSICAL THERAPY ASSOCIATION	5-026
ART TECHNICA, Co	5-050	EVERNEW INC.	4-025	Hitachi, Ltd.	4-054	J-Circuit, CO., LTD.	4-047
Asahiengineering Inc.	5-028	FINE CO., LTD.	4-057	HIWIN CORPORATION	5-005	Kabushikigaisya Yumenomizuhimisha	4-081
Awajitec Co., Ltd.	5-056	FURUKAWA CO., LTD.	4-010	HONKO MFG. CO., LTD.	4-093	MOIS Institute Co., Ltd.	4-049
Bic - Ban Co.	5-051	FUJITSU LIMITED	4-024	HUMAN HEALTH CARE SYSTEM INC.	5-044	MORITOH CORPORATION	5-063
CARMATE MFG. CO., LTD.	4-095	FUJITSU SYSTEM CO., LTD.	4-042	Hitachi Information Systems, Ltd.	4-079	MP JAPAN CO., LTD.	4-037
Carrots System Co., Ltd.	4-062	GLOBAL BUSINESS CORPORATION	4-035	Hitachi Information Systems, Ltd.	4-079	ND Software Co., Ltd.	4-065
CO., LTD TAKANO	4-074	GLOBAL BUSINESS CORPORATION	4-035	Hitachi Information Systems, Ltd.	4-079	NEPIA TENDER CO., LTD.	5-057
COMBI WELLNESS CORPORATION	4-005	GLOBAL BUSINESS CORPORATION	4-035	Hitachi Information Systems, Ltd.	4-079	NIPON COMPUTER SYSTEM CO., LTD.	5-001
consumer product Safety Association	4-012	GLOBAL BUSINESS CORPORATION	4-035	Hitachi Information Systems, Ltd.	4-079	OGAKI INDUSTRY COMPANY LIMITED	5-002
COSMO LIBERTY CO., LTD.	5-047	GLOBAL BUSINESS CORPORATION	4-035	Hitachi Information Systems, Ltd.	4-079	OSAKA ELECTRONIC EQUIPMENT LTD.	4-045
COTE DOR CORPORATION	4-078	GLOBAL BUSINESS CORPORATION	4-035	Hitachi Information Systems, Ltd.	4-079	PACIFIC BUSINESS CO., LTD.	4-080
CRYSTAL INDUSTRIAL COMPANY LIMITED	4-096	GLOBAL BUSINESS CORPORATION	4-035	Hitachi Information Systems, Ltd.	4-079	PARKER CORPORATION	5-015