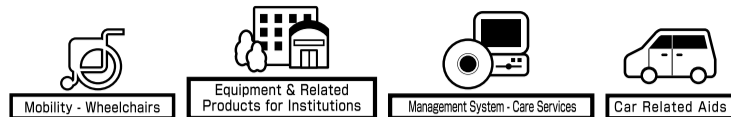


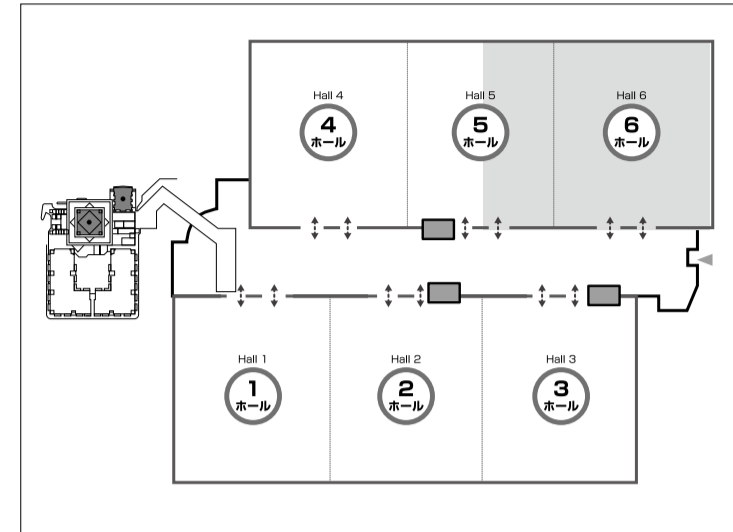
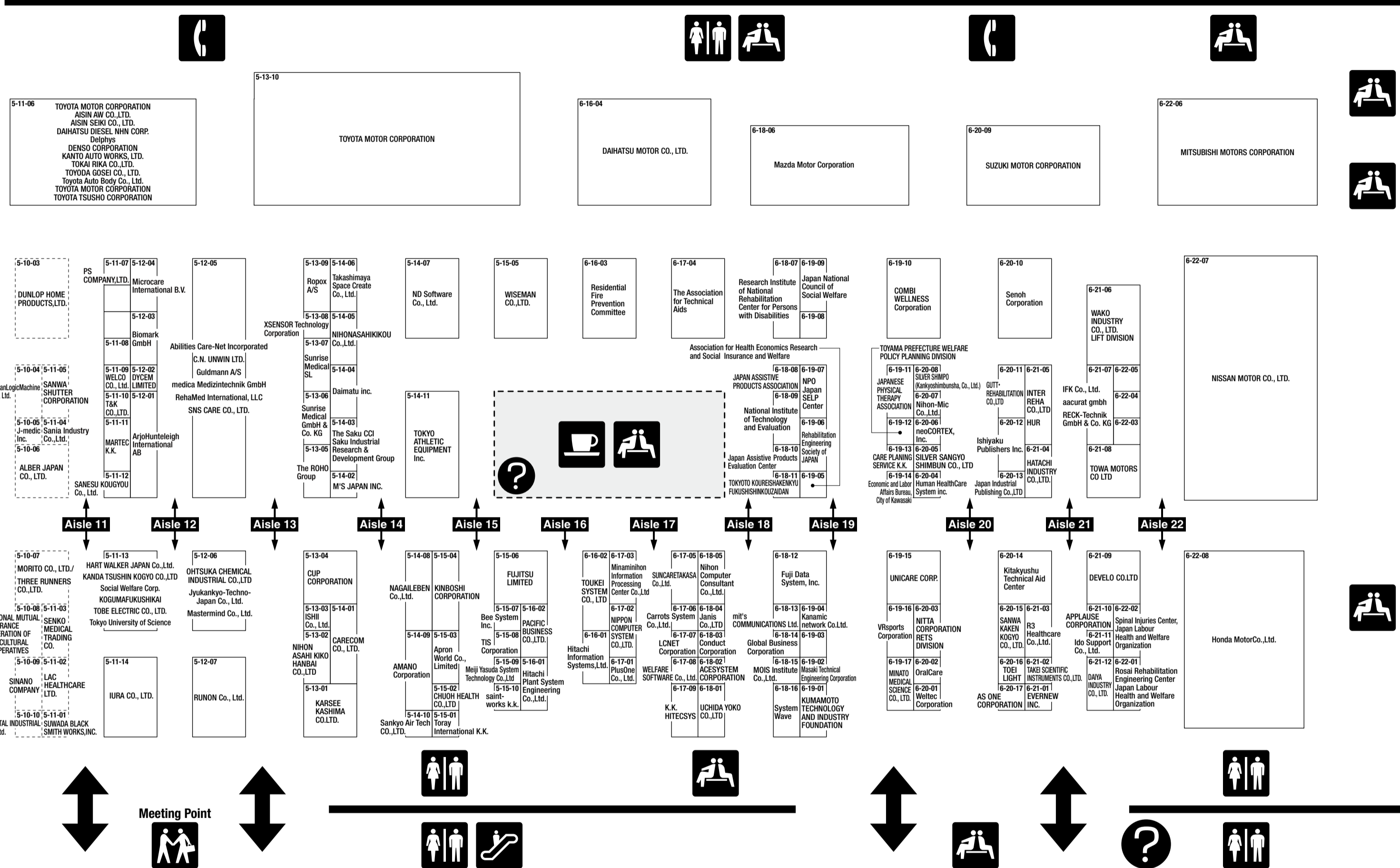
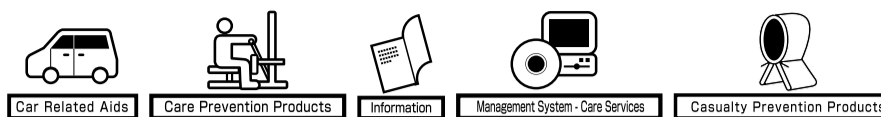


Guide for East Hall 5 - 6 (Aisle Carpet Color: Orange)

East Hall 5



East Hall 6



- 総合案内所/会場案内所 Information
- エスカレーター Escalator
The escalator next to East Hall 4 is for wheelchair users.
- トイレ Restrooms
- 電話 Telephone
- 休憩所 Lounge
- 軽食コーナー Snack Corner
There are also restaurants within the Tokyo Big Sight facilities for visitors.
- 車いす貸出コーナー Wheelchair Rental
- 待ち合わせ会場 Meeting Point
A Meeting Point is located outside of the entrance of East Hall 5.

The Aisle Carpet Color for East Hall 5 - 6 is Orange.

Japanese Exhibitors in East Hall 5 - 6 (Alphabetical Order)

Exhibitor	Booth No.	Exhibitor	Booth No.
Abilities Care-Net Incorporated	5-12-05	DAIHATSU DIESEL NHN CORP.	5-11-06
ACESYSTEM CORPORATION	6-18-02	DAIHATSU MOTOR CO., LTD.	6-16-04
AISIN AW CO., LTD.	5-11-06	Ido Support Co., Ltd.	6-21-11
AISIN SEIKI CO., LTD.	5-11-06	IFK Co., Ltd.	6-21-07
AMANO Corporation	5-14-09	INTER REHA CO.,LTD	6-21-05
APPLAUSE CORPORATION	6-21-10	DENSO CORPORATION	5-11-06
Apron World Co., Limited	5-15-03	DEVELO CO.LTD	6-20-12
AS ONE CORPORATION	6-20-17	Economic and Labor Affairs Bureau, City of Kawasaki	6-19-14
Association for Health Economics Research and Social Insurance and Welfare	6-19-05	EVERNEW INC.	6-21-01
Bee System Inc.	5-15-07	Fuji Data System, Inc.	6-18-12
CARE PLANING SERVICE K.K.	6-19-13	FUJITSU LIMITED	5-15-06
CARECOM CO., LTD.	5-14-01	Global Business Corporation	6-18-14
Carrots System Co.,Ltd.	6-17-06	GUTT-REHABILITATION CO.,LTD	6-20-11
CHUOH HEALTH CO.,LTD	5-15-02	HART WALKER JAPAN Co.,Ltd.	5-11-13
COMBI WELLNESS Corporation	6-19-10	HATACHI INDUSTRY CO.,LTD.	6-21-04
Conduct Corporation	6-18-03	Hitachi Information Systems, Ltd.	6-16-01
CUP CORPORATION	5-13-04	Hitachi Plant System Engineering Co.,Ltd.	5-16-01

Japanese Exhibitors in East Hall 5 - 6 (Alphabetical Order)

Exhibitor	Booth No.	Exhibitor	Booth No.
Honda MotorCo.,Ltd.	6-22-08	K.K. HITECSYS	6-17-09
Human HealthCare System inc.	6-20-04	Kanamic network Co.Ltd.	6-19-04
Ido Support Co., Ltd.	6-21-11	KANDA TSUSHIN KOGYO CO.,LTD	5-11-13
IFK Co., Ltd.	6-21-07	KANTO AUTO WORKS, LTD.	5-11-06
INTER REHA CO.,LTD	6-21-05	KARSEE KASHIMA CO.LTD.	5-13-01
ISHII Co., Ltd.	5-13-03	KINBOSHI CORPORATION	5-15-04
Ishiyaku Publishers Inc.	6-20-12	Kitakyushu Technical Aid Center	6-20-14
IURA CO., LTD.	5-11-14	KUMAMOTO TECHNOLOGY AND INDUSTRY FOUNDATION	6-19-01
Janis Co.,LTD	6-18-04	LCNET Corporation	6-17-07
JAPAN ASSISTIVE PRODUCTS ASSOCIATION	6-21-01	MARTEC K.K.	5-11-11
Fuji Data System, Inc.	6-18-12	Masaki Technical Engineering Corporation	6-19-02
FUJITSU LIMITED	5-15-06	Mastermind Co., Ltd.	5-12-06
Global Business Corporation	6-18-14	Mazda Motor Corporation	6-18-06
GUTT-REHABILITATION CO.,LTD	6-20-11	Meiji Yasuda System Technology Co.,Ltd	5-15-09
HART WALKER JAPAN Co.,Ltd.	5-11-13	JAPAN ASSISIVE PRODUCTS ASSOCIATION	6-19-11
HATACHI INDUSTRY CO.,LTD.	6-21-04	Jyukankyo-Techno-Japan Co., Ltd.	5-12-06
Hitachi Information Systems, Ltd.	6-16-01		
Hitachi Plant System Engineering Co.,Ltd.	5-16-01		

Japanese Exhibitors in East Hall 5 - 6 (Alphabetical Order)

Exhibitor	Booth No.	Exhibitor	Booth No.
MINATO MEDICAL SCIENCE CO., LTD.	6-19-17	mit's COMMUNICATIONS Ltd.	6-18-13
MITSUBISHI MOTORS CORPORATION	6-22-06	MOIS Institute Co.,Ltd.	6-18-15
MITSUBISHI MOTORS CORPORATION	6-22-06	M'S JAPAN INC.	5-14-02
MITSUBISHI MOTORS CORPORATION	6-22-06	Mitsubishi Motors Corporation	6-18-06
MITSUBISHI MOTORS CORPORATION	6-22-06	NAGAILBEN Co.,Ltd.	5-14-08
MITSUBISHI MOTORS CORPORATION	6-22-06	National Institute of Technology and Evaluation	6-18-09
MITSUBISHI MOTORS CORPORATION	6-22-06	ND Software Co., Ltd.	5-14-07
MITSUBISHI MOTORS CORPORATION	6-22-06	neoCORTEX, Inc.	6-20-06
MITSUBISHI MOTORS CORPORATION	6-22-06	NIHON ASAHI KIKO HANBAI CO.,LTD	5-13-02
MITSUBISHI MOTORS CORPORATION	6-22-06	Nihon Computer Consultant Co.,Ltd.	6-18-05
MITSUBISHI MOTORS CORPORATION	6-22-06	Nihon Industrial Publishing Co.,Ltd.	6-18-15
MITSUBISHI MOTORS CORPORATION	6-22-06	NIHONASAHIKIKOU Co.,Ltd.	5-14-05
MITSUBISHI MOTORS CORPORATION	6-22-06	Nihon-Mic Co.,Ltd.	6-20-07
MITSUBISHI MOTORS CORPORATION	6-22-06	NIPPON COMPUTER SYSTEM CO., LTD.	6-17-02
MITSUBISHI MOTORS CORPORATION	6-22-06	NISSAN MOTOR CO., LTD.	6-22-07
MITSUBISHI MOTORS CORPORATION	6-22-06	NITTA CORPORATION RETS DIVISION	6-20-03

Japanese Exhibitors in East Hall 5 - 6 (Alphabetical Order)

Exhibitor	Booth No.	Exhibitor	Booth No.
NPO Japan SELP Center	6-19-07	saint-works k.k.	5-15-10
OHTSUKA CHEMICAL INDUSTRIAL CO.,LTD	5-12-06	SANESU KOUGYOU Co., Ltd.	5-11-12
OralCare	6-20-02	SANKYO AIR TECH CO.,LTD.	5-14-10
PACIFIC BUSINESS CO.,LTD.	5-16-02	SANWA KAKEN KOGYO CO., LTD.	6-20-15
PlusOne Co., Ltd.	6-17-01	Senoh Corporation	6-20-10
PS COMPANY,LTD.	5-11-07	SILVER SANGYO SHIMBUN CO., LTD	6-20-05
R3 Healthcare Co.,Ltd.	6-21-03	SILVER SHIMPO (Kankyoshimbunsha, Co., Ltd.)	6-20-08
Rehabilitation Engineering Society of JAPAN	6-19-06	Social Welfare Corp. KOGUMAFUKUSHIKAI	5-11-13
Research Institute of National Rehabilitation Center for Persons with Disabilities	6-18-07	Spinal Injuries Center, Japan Labour Health and Welfare Organization	6-22-02
Residential Fire Prevention Committee	6-16-03	Tokyo University of Science	5-11-13
Rosai Rehabilitation Engineering Center Japan Labour Health and Welfare Organization	6-22-01	TORAY INTERNATIONAL K.K.	5-15-01
RUNON Co., Ltd.	5-12-07	Toray International K.K.	6-18-11
		TOKYO ATHLETIC EQUIPMENT Inc.	5-11-06
		TOKYO UNIVERSITY OF SCIENCE	5-11-13
		TOKYO KOUREISHAKENKYU FUKUSHISHINKOUZAIAN	6-18-01
		Touge System Co., Ltd	6-16-02
		TSUKI CO.,LTD.	5-11-10
		Takashimaya Space Create Co., Ltd.	5-14-06

Overseas Exhibitors in East Hall 5 - 6 (Alphabetical Order)

Exhibitor	Booth No.	Exhibitor	Booth No.
TOYOTA AUTO BODY CO., LTD.	5-11-06	aacurat gmbh	6-21-07
TOYOTA MOTOR CORPORATION	5-13-10	ArjoHunteleigh International AB	5-12-01
TOYOTA MOTOR CORPORATION	5-11-06	Biomark GmbH	5-12-03
TOYOTA TSUSHO CORPORATION	5-11-06	C.N. UNWIN LTD.	5-12-05
UCHIDA YOKO CO.,LTD	6-18-01	DYCEM LIMITED	5-12-02
UNICARE CORP.	6-19-15	Guldmann A/S	5-12-05
VRsports Corporation	6-19-16	HUR	6-21-05
WAKO INDUSTRY CO., LTD.	6-21-06	medica Medizintechnik GmbH	5-12-05
WELCO CO., Ltd.	5-11-09	Microcare International B.V.	5-12-04
WELFARE SOFTWARE Co., Ltd.	6-17-08	RECK-Technik GmbH & Co. KG	6-21-07
Weltec Corporation	6-20-01	RehaMed International, LLC	5-12-05
WISEMAN CO.,LTD.	5-15-05	Ropox A/S	5-13-09
		SNS CARE CO., LTD.	5-12-05
		Sunrise Medical GmbH & Co. KG	5-13-06
		Sunrise Medical SL	5-13-07
		The ROHO Group	5-13-05
		XSENSOR Technology Corporation	5-13-08